



65 Series Installation

Auto racing remains a very dangerous sport regardless of any protective devices you may use. Please read the instructions very carefully and if you have any questions please contact Kirkey Racing Fabrication Inc. 1-800-363-4885.

FAILURE TO COMPLY WITH THESE INSTRUCTIONS MAY CAUSE SERIOUS INJURY OR DEATH

Please read instructions before you start assembling seat.

You have the choice of five different positions that you can set the height of the shoulder belt openings, (see photo #1). Ideally you want the shoulder belt openings positioned level with the driver's shoulders. With the shoulder belt openings at the proper height fasten the back of the seat to the bottom using the pre-punched holes and eight (8) of the 3/16" x 1/2" bolts provided. To make alignment easier do not tighten bolts until they are all in place.

TIP: To ease assembly, install front bolts on each side first.

Next, using the remaining bolt kit supplied install the right and left rib braces, (see photo #1).

DO NOT OVERTIGHTEN BOLTS

Hardware list: 16- 3/16" x 1/2" bolts 16- 3/16" lock nuts.

MOUNTING INSTRUCTIONS

There are two ways the bottom of the seat can be mounted. You can use four bolts (min. 5/16" / 8mm) directly through the bottom of the seat to the frame or roll cage (spread the bolts out as far as possible to distribute the load). Or you can do a side mount using part number 99214, (see photo #2).

For the back we recommend at least two bolts (min. 5/16" / 8mm) directly through the back of the seat to the frame or roll cage (spread the bolts out as far as possible to distribute the load). We also make a bracket for this as well (see photo #3), part number 99211. NEVER mount to sheet metal.

If you are not qualified to perform such fabrication have the installation done by an expert familiar with the requirements of such installation.

We DO NOT recommend the use of stock sliders and adjusters.

Be sure to check with your sanctioning body and/or track for their rules and regulations on seat mounting.

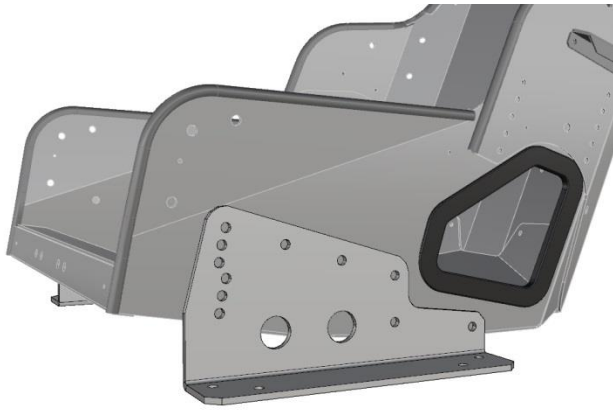
Photo #1



Five (5) options for shoulder belt height.

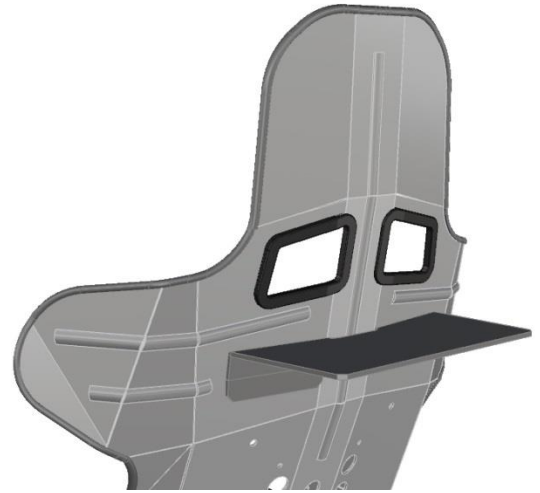
Bolt-on rib braces.

Photo #2



Part # 99214 Floor Mount Brackets

Photo #3



Part # 99212 – Rear Mount Bracket



For more information please contact us:

www.kirkeyracing.com

kirkey@kirkeyracing.com

1-800-363-4885 (voice)

Not intended for highway or airplane use.