

85140KIT – 85170KIT Instructions



You have purchased the finest Intermediate 10 Degree Adjustable Containment Seat Kit available. These components (when installed correctly) are designed to reduce injury producing movement of the upper body and head during a racing impact, but no device or component can prevent all injuries that may occur in auto racing. **Auto racing remains a very dangerous sport regardless of any protective**

devices you may use. Please read the instructions very carefully and if you have any questions please contact Kirkey Racing Fabrication Inc. 1-800-363-4885

FAILURE TO COMPLY WITH THESE INSTRUCTIONS MAY CAUSE SERIOUS INJURY OR DEATH

Step 1- Shoulder Vertical Height Adjustment.

You have the choice of five (5) different vertical positions that can be used to set the shoulder height position, (see photo #1). Seat shoulder height should be level or slightly lower than drivers shoulder height, (see photo #2). As a base starting point you can bolt seat bottom and seat torso parts together in the middle neutral position, keep bolts loose for now. Have driver sit in seat with bottom seat cover installed. Lower or raise torso portion of seat to adjust correctly. With the shoulder at the correct position use the pre-punched holes and eight (8) 1/4" X 1/2" bolts and nuts provided to join the bottom and torso together, we recommend using a thread locker. DO NOT overtighten bolts. Torque these 1/4" bolts to **8ft. lbs.** Check after each race.

Step 2- Setting the Head Restraint Vertically and Horizontally.

You have the choice of two (2) different vertical positions that can be used to set the head restraint position, (see photo #3). Ideally you want the head restraint positioned level with the driver's cheekbone. With the seat cover installed, have the driver look to the left and to the right to ensure that their peripheral vision is not obstructed. If peripheral vision is obstructed adjust accordingly.

You have the choice of five (5) different forward and aft positions, (see photo #4). This is a driver preference; adjust so driver is comfortable with head position. With the head restraint in proper position fasten to seat using the two connector brackets and 1/4" x 3/4" bolts provided, (4 bolts per side). We recommend using a thread locker. DO NOT overtighten bolts. Torque these 1/4" bolts to **12ft. lbs.** Check after each race.

NOTE: Head can also be rotated down at the front to give driver more peripheral vision. Loosen the (2) connector bracket bolts on each side of shoulder and rotate to driver's preference.

Hardware List:

8- 1/4" x 1/2" bolts	8- 1/4" x 3/4" bolts
8- 1/4" serrated nuts	2- Connector Brackets

MOUNTING INSTRUCTIONS

For the bottom we recommend that you use no less than two (2) 5/16"(8mm) bolts directly through the bottom to frame, (spread the bolts out as far as possible to distribute the load). For the back we recommend no less than three (3) 5/16" (8mm) bolts using the mounting area in the shoulder box of the seat. NEVER mount to sheet metal.

If you are not qualified to perform such fabrication have the installation done by an expert familiar with the requirements of such installation.

Be sure to check with your sanctioning body and/or track for their rules and regulations on seat mounting.

PHOTO 1

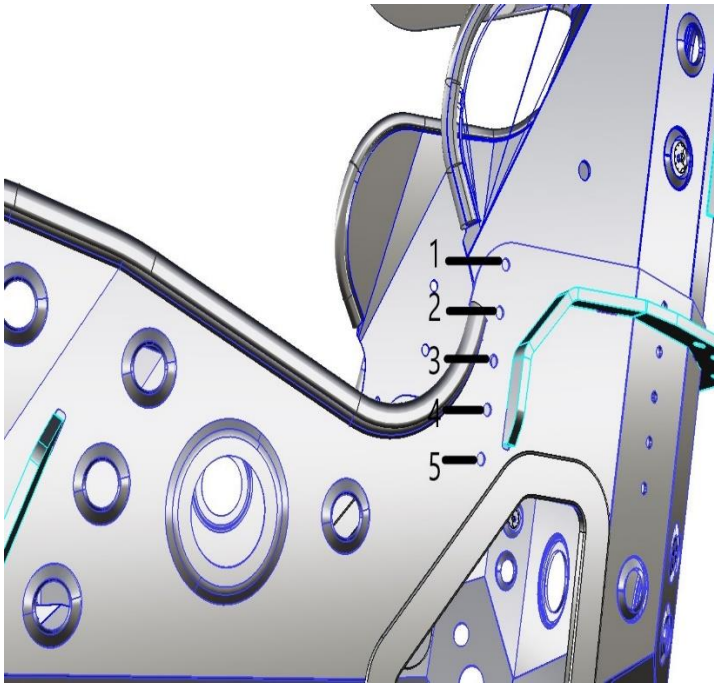


PHOTO 2

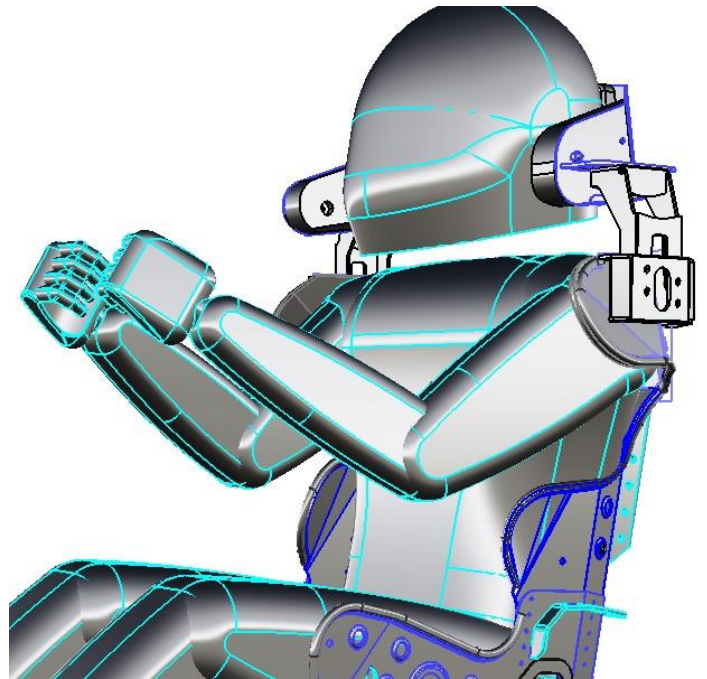


PHOTO 3

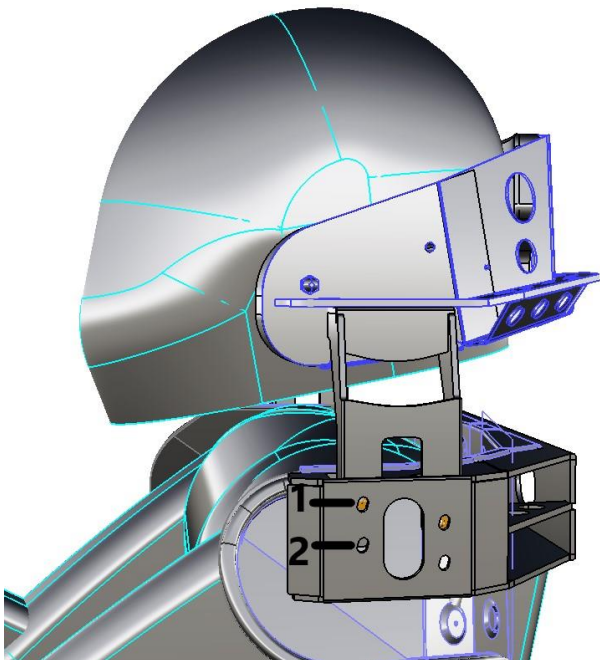
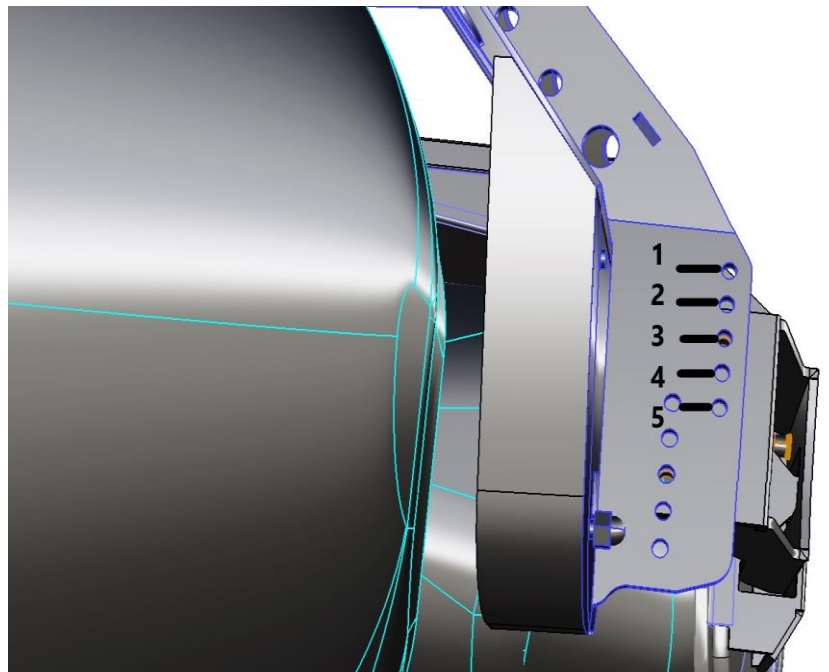


PHOTO 4



For more information please contact us:

kirkey@kirkeyracing.com

www.kirkeyracing.com

1-800-363-4885 (voice)

Not intended for highway or airplane use